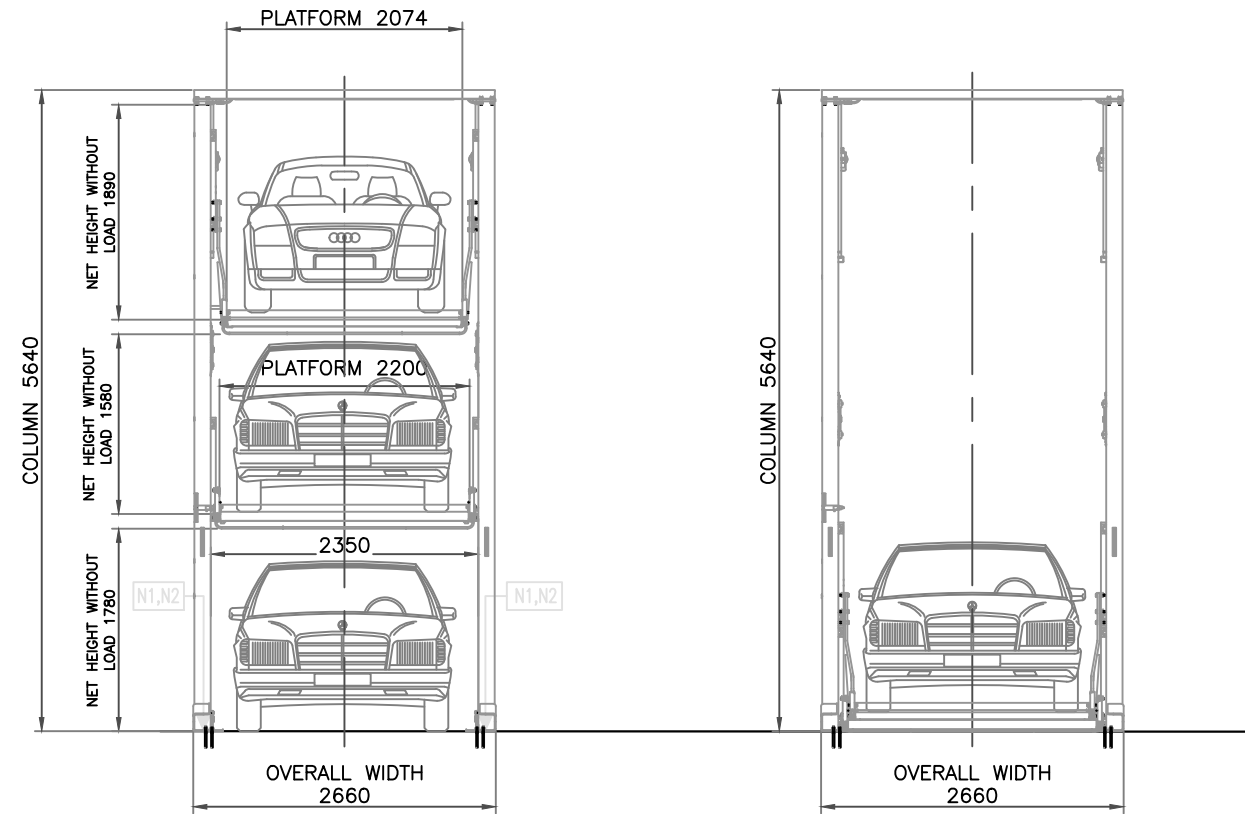
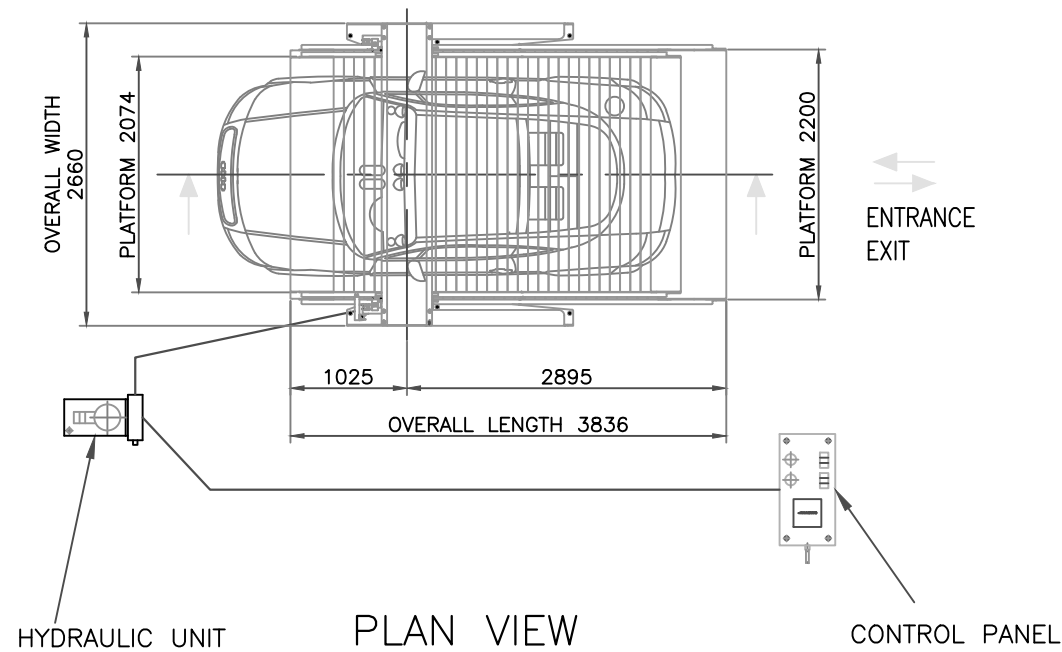


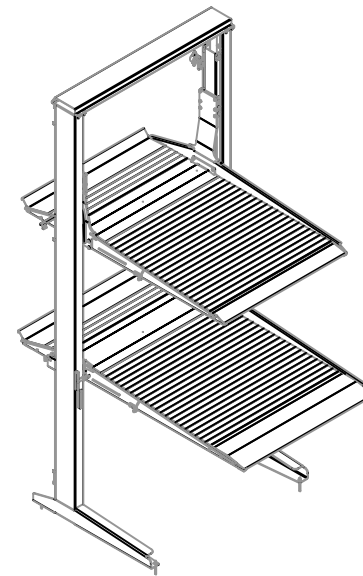
SECTION VIEW



SIDE VIEW



PLAN VIEW



CAPACITY:  
2 cars 2500 Kg per car  
625 Kg per wheel

FENCES, SAFETY DEVICES AND PROTECTIONS HAVE TO BE DEFINED BY THE INSTALLATION MANAGER ACCORDING TO THE FINAL LAYOUT AND THE RELEVANT RISK ANALYSIS

MAX CAPACITY	2500+2500 Kg	
TRAVEL	1850 / 3910 mm	
STOPS	3	
CYLINDER ROD DIAMETER	ø30	
MAIN POWER	HYDRAULIC	
POWER SUPPLY	415V 3ph 50Hz	
MOTOR POWER	2,5 KW	
MIN RUNNING PRESSURE	100 bar	
MAX RUNNING PRESSURE	280 bar	
NOMINAL CURRENT	6.4 A	
STARTING CURRENT	35.8 A	
MEAN SPEED	0.06 m/s	
COMMAND TYPE	ON PLATFORM	-
	AT EACH FLOOR	DEAD MAN
ELECTRIC LOCK TYPE	-	
MAGNETIC SENSOR TYPE	-	

GENERAL NOTES:  
1. DRAWING TRANSLATED FROM MANUFACTURERS ORIGINAL DRAWING - PLEASE CONTACT LEVANTA IF YOU HAVE ANY QUERIES  
2. LEVANTA DECLINES ANY RESPONSIBILITY FOR IMPROPER USE OF THIS DRAWING.



ABN: 75 820 442 568  
QLD Office: 17 Caribena Street, Hemmant QLD 4174  
NSW Office: 89 Gascoigne Street, Kingswood NSW 2147  
WA Office: 67 Tacoma Circuit, Canning Vale WA 8155  
VIC Office: 51 Assembly Drive, Tullamarine VIC 3043  
Telephone: 1300 993 548  
Fax: 1300 677 643  
Email: enquiries@levantapark.com.au  
Web: www.levantapark.com.au

DRAWN: CAMERON BURKE 26/07/2016  
CHECK: TW 26/07/2016  
NOT TO SCALE - ORIGINAL A3  
AS 1100  
THIRD ANGLE PROJECTION  
DO NOT SCALE  
IF IN DOUBT - ASK

Levanta's Job No. 1

TRIPARK 25

A	First Drawing	CB	TW	TW	26/07/2016
REV	ISSUE DESCRIPTION	BY	CHK.	APPR.	DATE

STATUS  
FOR APPROVAL

DRAWING No.  
TP25\_LP\_001

REV.  
A