



# WAS-4000

## Wheel Alignment Scissor Lift 4t



### Product Details & Specifications

---

4t Capacity wheel alignment scissor lift

Multiple position turntable pockets

Integrated rear slip plates

Non skid diamond runways

Heavy duty design

**Lifting Capacity:** 4.0T

**Lifting Time:** 55 Seconds

**Lifting Height 1:** 870mm

**Minimum Height:** 300mm

**Runway Length:** 4828mm

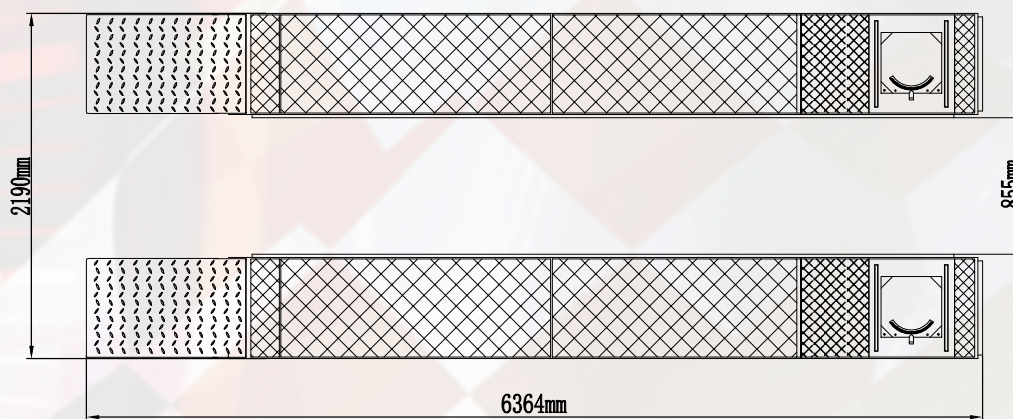
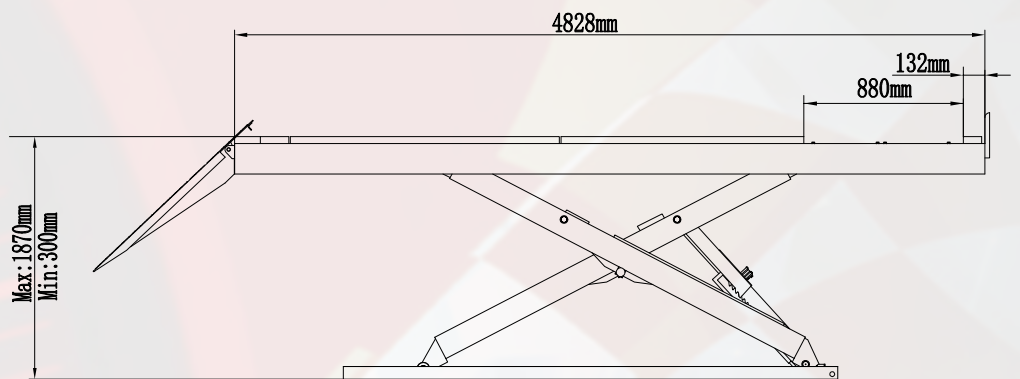
**Overall Width:** 2190mm

**Runway Width:** 625mm

**Overall Length (Inc. Ramps):** 6364mm

**Gross Weight:** 2116Kg

**Motor:** 3.0HP



Model	Lifting Capacity	Lifting Time	Lifting Height	A Overall Length (Inc.Ramps)	B Overall Length (No Inc.Ramps)	Overall Width	Motor power
WAS-4000	4.0T	55S	300-1870mm	6364mm	4828mm	2190mm	2.0/3.0HP