



RJ-3600A

Air/Hydraulic Rolling Jack 3.6t



Product Details & Specifications

3.6t Capacity air / hydraulic rolling jack

Mechanical safety lock

Adjustable rubber pads

1.5" and 2.5" extensions

Lifting Capacity: 3.5T

Lifting Time: 50 Seconds

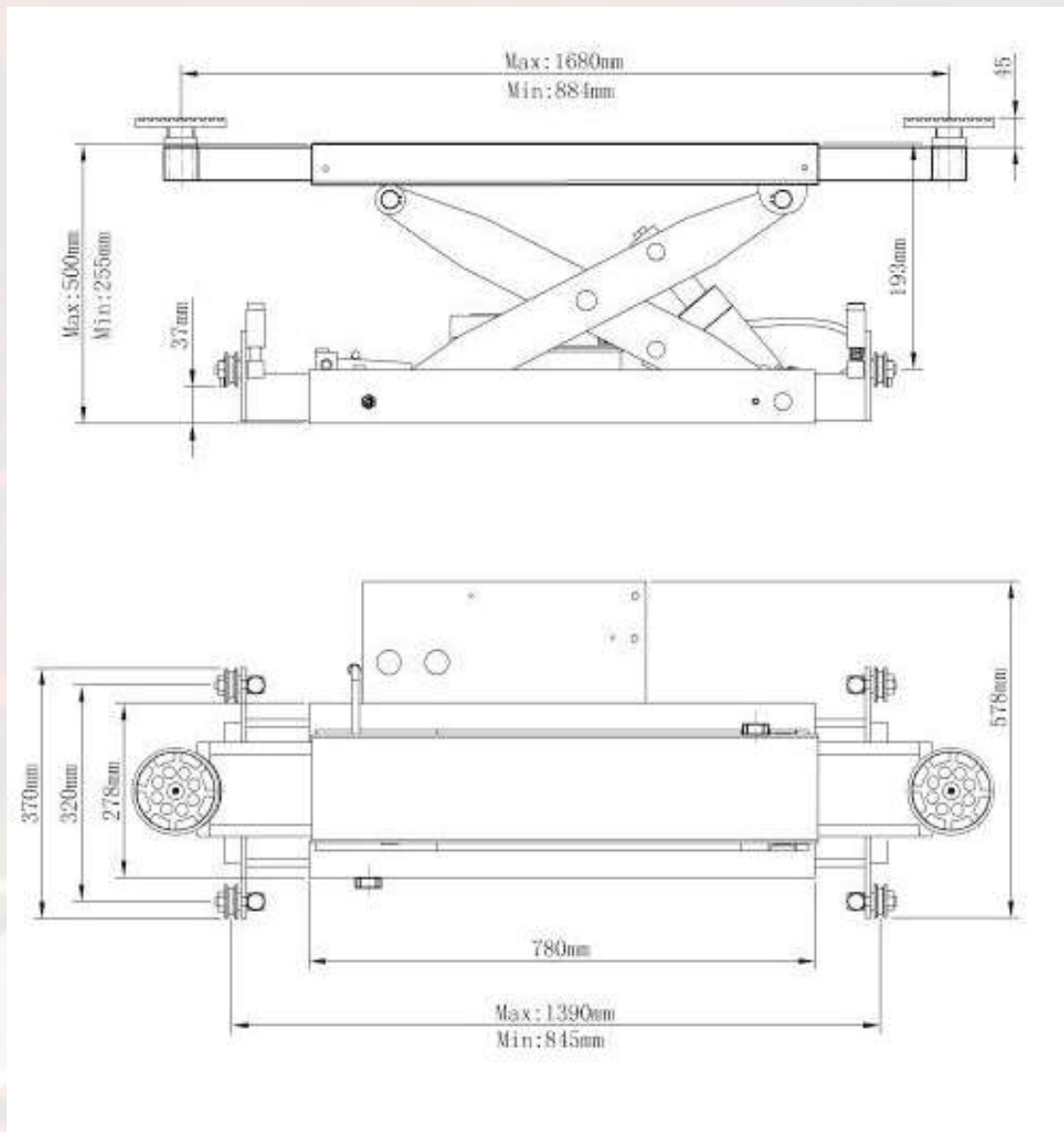
Lifting Height: 500mm

Minimum Height: 255mm

Overall Length: 1004 ~ 1805mm

Runway Width: 578mm

Gross Weight: 149Kg



Model RJ-3600A	
Lifting Capacity	3.5T
Lifting Time	50 Seconds
Lifting Height	500 mm
Minimum Height	225 mm
Overall Length	1004 - 1805 mm
Runway Width	578 mm
Gross Weight	149KG