



# RJ-2800A

## *Air/Hydraulic Rolling Jack 2.8t*



### **Product Details & Specifications**

---

2.8t Capacity air / hydraulic rolling jack

Mechanical safety lock

Adjustable rubber pads

1.5" and 2.5" extensions

**Lifting Capacity:** 2.8T

**Lifting Time:** 50 Seconds

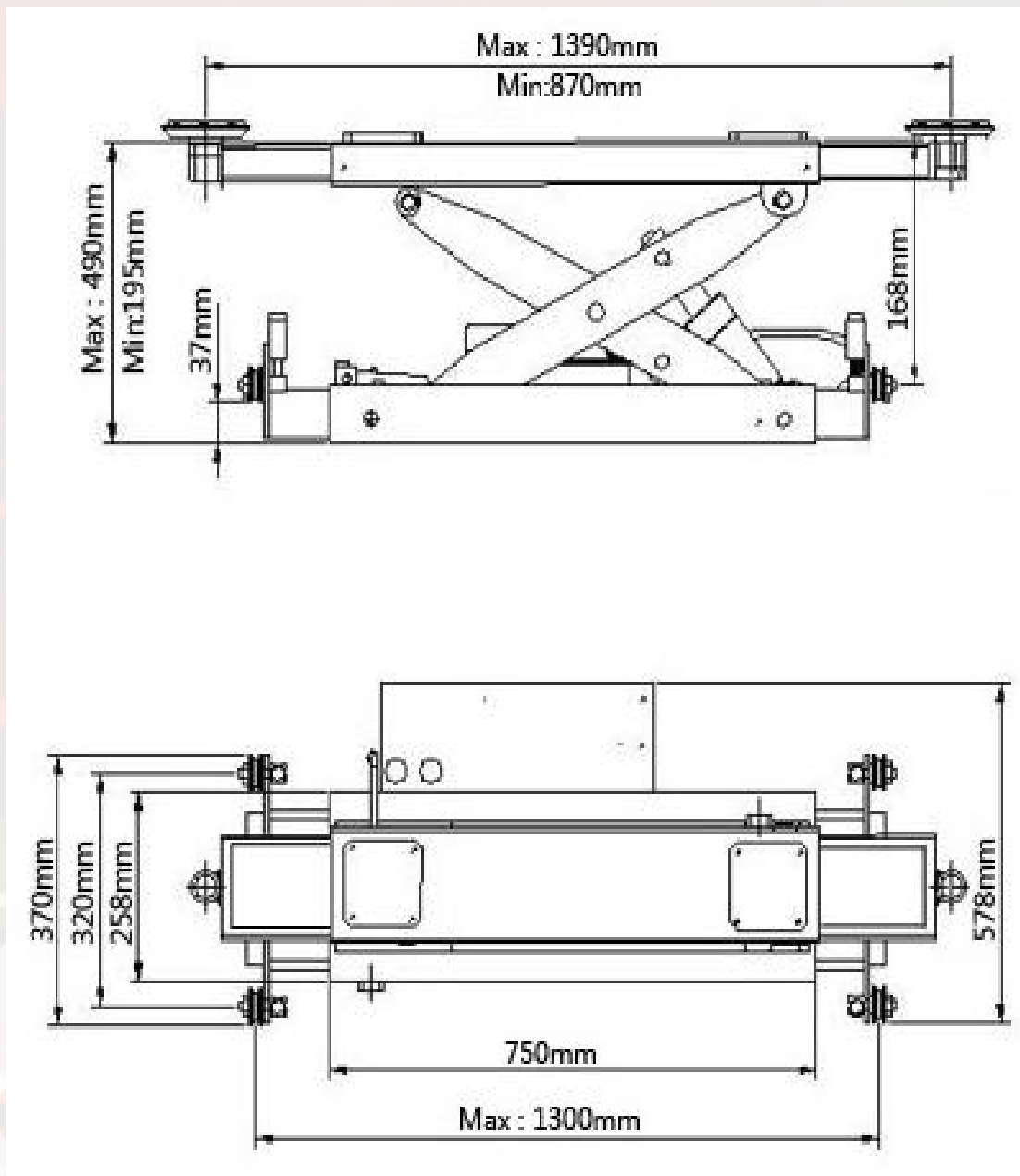
**Lifting Height:** 490mm

**Minimum Height:** 230mm

**Overall Length:** 1005 ~ 1525mm

**Runway Width:** 578mm

**Gross Weight:** 108Kg



Model RJ-2800A	Jack with SPX air-operated hydraulic pump
Lifting Capacity	2800kg (6,000 lbs)
Lifting Time	50 Seconds
Lifting Height	490 mm (19 1/4")
Minimum Height	230 mm (9")
Overall Length	1005~1525 mm (39 1/2"~60")
Runway Width	578 mm (22 3/4")