



# RJ-2200H

## Manual Rolling Jack 2.2t



### Product Details & Specifications

---

2.2t Capacity manual hand pump rolling jacking beam

Mechanical safety lock

**Lifting Capacity:** 2.2T

**Lifting Time:** 50 Seconds

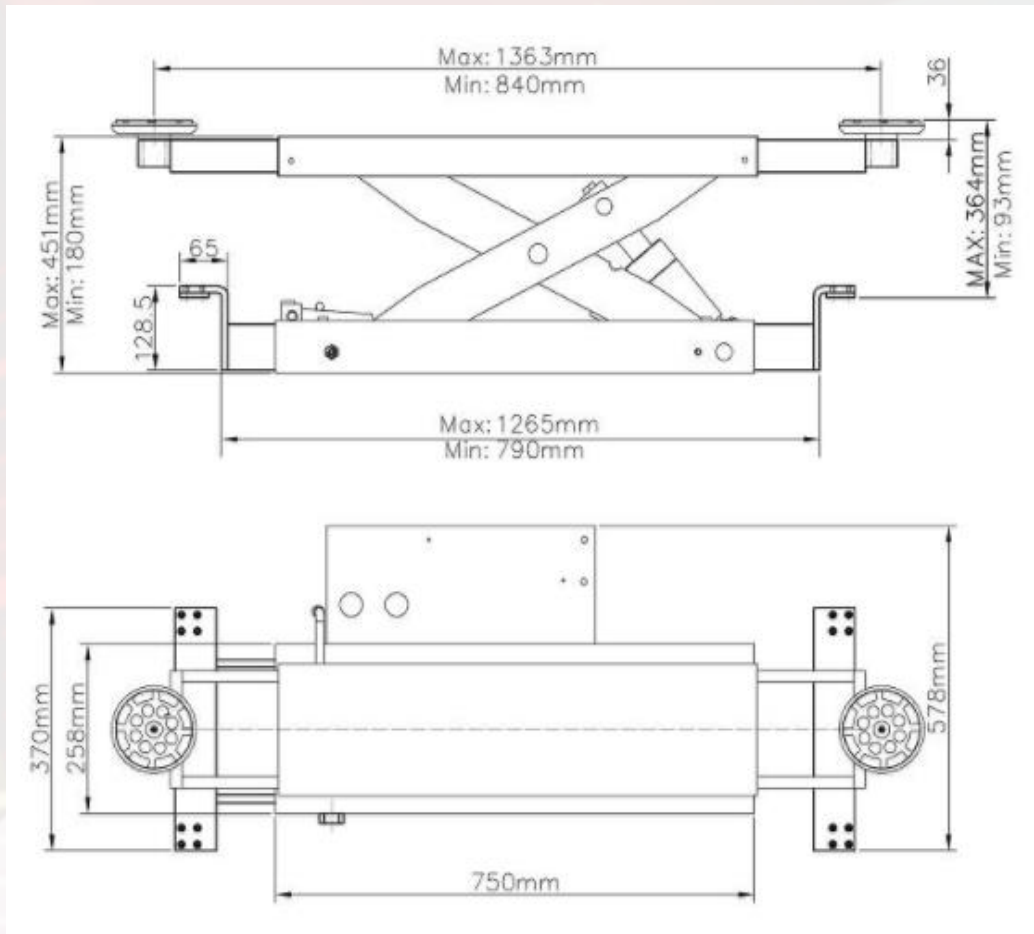
**Lifting Height:** 451mm

**Minimum Height:** 180mm

**Overall Length:** 1005 ~ 1525mm

**Runway Width:** 578mm

**Gross Weight:** 180Kg



Model RJ-2200H	Jack with hand pump
Lifting Capacity	2200kg (5,000 lbs)
Lifting Time	50 Seconds
Lifting Height	451 mm (17 3/4")
Minimum Height	180 mm (7")
Overall Length	1005~1525 mm (39 1/2"~60")
Runway Width	578 mm (22 3/4")